

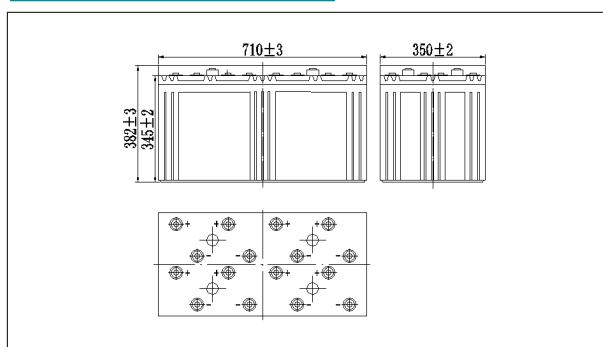
NP2-3000Ah 2V3000Ah



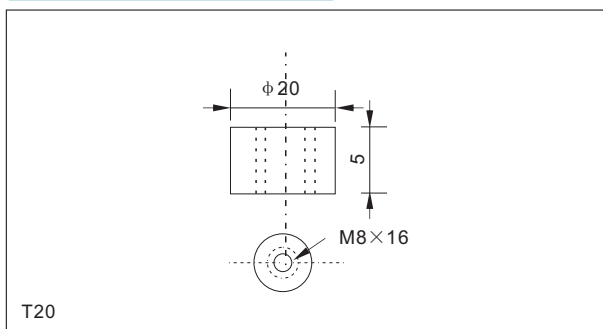
Specifications

Nominal Voltage	2V	
Rated capacity (10 hour rate)	3000Ah	
Dimensions	Length	710±3mm(27.95inch)
	Width	350±2mm(13.78inch)
	Height	345±2mm(13.58inch)
	Total Height	382±2mm(15.04inch)
Approx. Weight	191kg(421lbs)±3%	

Outer dimensions (mm)



Terminal Type (mm)



Characteristics

Capacity (25°C)	10HR(1.8V)	3000Ah
	3HR(1.80V)	2250Ah
	1HR(1.75V)	1650Ah
Terminal type		T20
Internal resistance (Fully charged,25°C)		Approx.0.13m Ω
Capacity affected by temperature (10HR)	40°C	102%
	25°C	100%
	0°C	85%
	-15°C	65%
Self-discharge (25°C)	3 months	Remaining Capacity:91%
	6 months	Remaining Capacity:82%
	12 months	Remaining Capacity:65%
Nominal operating temperature		25°C ±3°C(77°F ±5°F)
Operating temperature range	Discharge	-15°C~50°C(5°F~122°F)
	Charge	-10°C~50°C(14°F~122°F)
	Storage	-20°C~50°C(-4°F~122°F)
Float charging voltage(25°C)		2.25 to 2.30V Temperature compensation: -3mV/°C
Cyclic charging voltage(25°C)		2.40 to 2.45V Temperature compensation: -5mV/°C
Maximum charging current		600A
Maximum discharge current		15000A(5 sec.)
Designed floating life(20°C)		18 years

Construction

Component	Positive plate	Negative plate	Container	Cover	Separator	Electrolyte	Safety valve	Terminal
Raw material	Lead dioxide	Lead	ABS	ABS	AGM	Gel	Rubber	Copper

Constant Current Discharge Characteristics Unit:A(25°C,77°F)

F.V/Time	30min	60min	2h	3h	4h	5h	6h	8h	10h	20h	24h
1.60V	2610	1800	1081	783	618	514	453	361	305	160	138
1.65V	2558	1764	1075	779	614	511	453	359	305	160	137
1.70V	2480	1710	1065	773	610	508	447	356	304	160	137
1.75V	2419	1674	1049	768	606	504	444	354	302	159	136
1.80V	2331	1620	1022	753	588	489	431	343	300	158	135

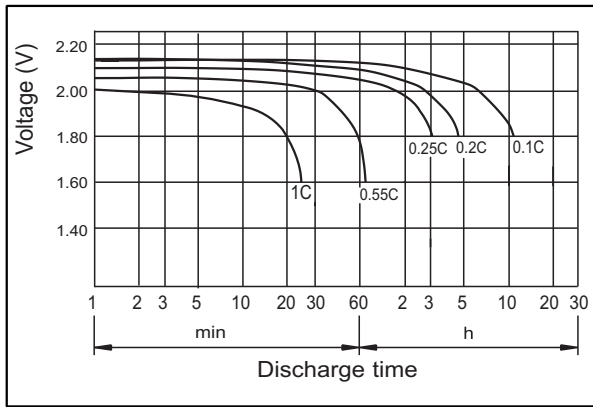
Constant Power Discharge Characteristics Unit:W(25°C,77°F)

F.V/Time	30min	60min	2h	3h	4h	5h	6h	8h	10h	20h	24h
1.60V	4881	3420	2086	1535	1212	1013	892	719	608	321	277
1.65V	4783	3352	2074	1526	1204	1007	887	714	607	320	276
1.70V	4637	3249	2055	1516	1196	1000	881	709	605	319	275
1.75V	4524	3181	2025	1505	1188	993	875	704	601	317	274
1.80V	4358	3078	1973	1475	1152	963	848	683	597	315	272

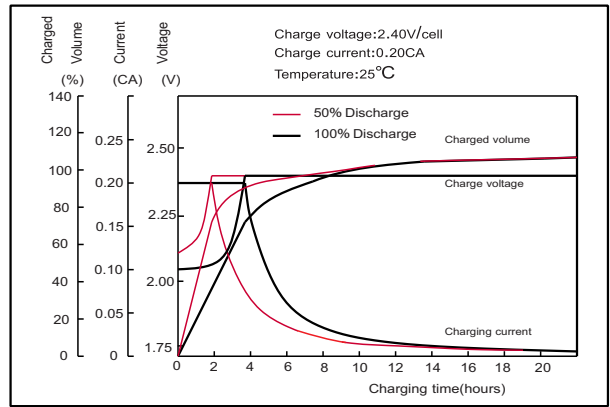
Note: The above characteristics data can be obtained within three charge or discharge cycles.

NPG2-3000Ah 2V3000A

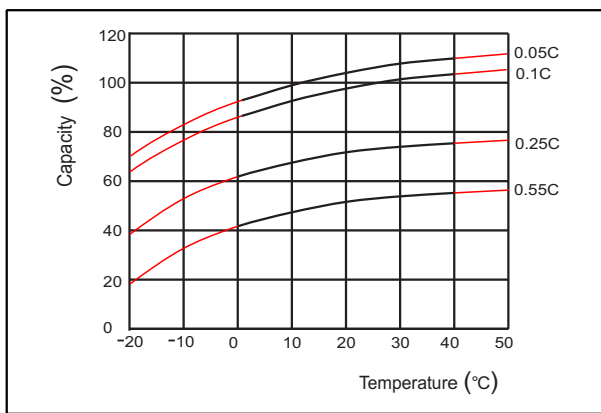
● **Discharge characteristics(25°C)**



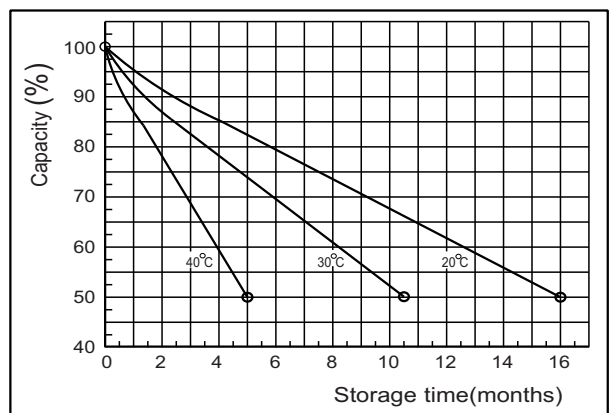
● **Charging characteristics**



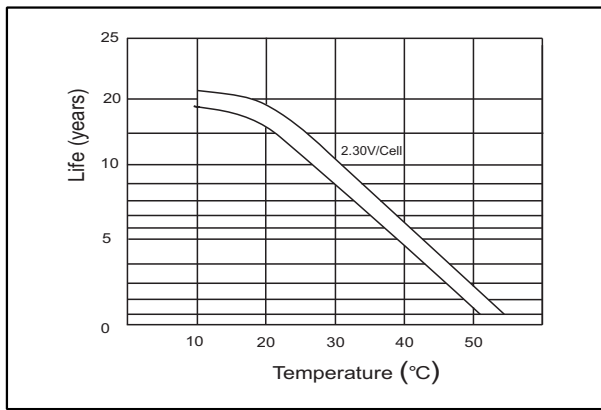
● **Effect of Temperature on Capacity**



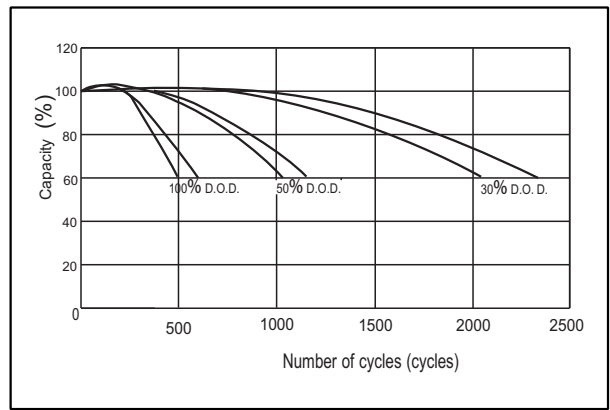
● **Self-discharge characteristics**



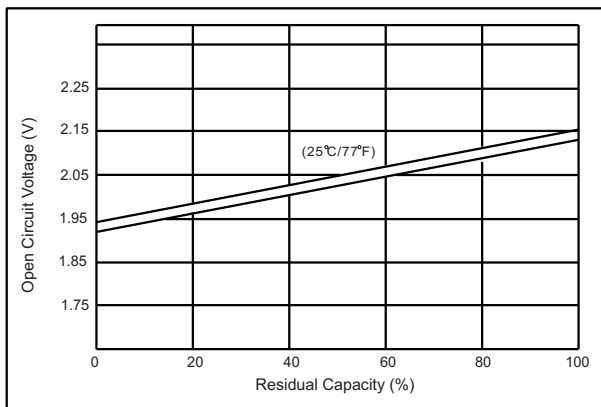
● **Temperature effects on float life**



● **Cycle service life in relation to depth of discharge**



● **The relationship for OCV and Capacity (25°C)**



● **The relationship for Charging voltage and Temperature**

