

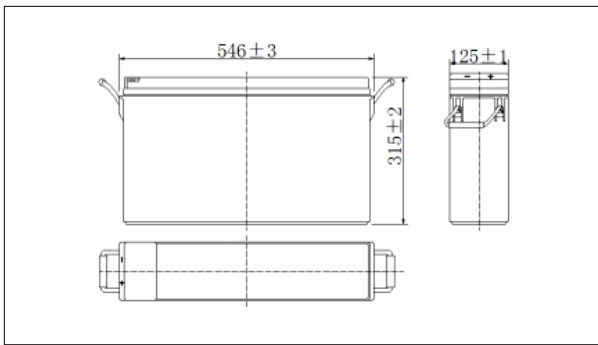
FT12-155Ah 12V155Ah



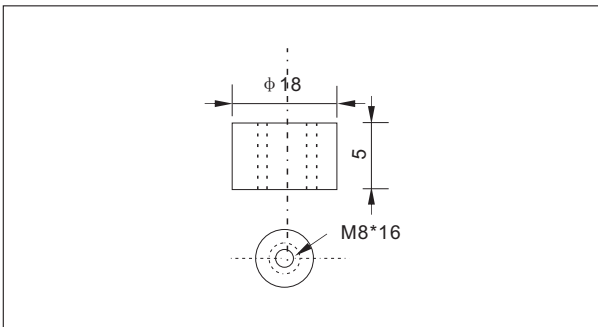
● **Specifications**

Nominal Voltage		12V
Rated capacity (10 hour rate)		155Ah
Dimensions	Length	546±3mm(21.50inch)
	Width	125±1mm(4.92inch)
	Height	315±2mm(12.40inch)
	Total Height	315±2mm(12.40inch)
Approx. Weight		49.5kg(109.1lbs)±3%

● **Outer dimensions (mm)**



● **Terminal Type (mm)**



● **Characteristics**

Capacity (25°C)	10HR(10.8V)	155Ah
	3HR(10.8V)	117Ah
	1HR(10.5V)	86Ah
Terminal type		T18
Internal resistance (Fully charged, 25°C)		Approx. 4m Ω
Capacity affected by temperature (10HR)	40°C	102%
	25°C	100%
	0°C	85%
	-15°C	65%
Self-discharge (25°C)	3month	Remaining Capacity:91%
	6month	Remaining Capacity:82%
	12month	Remaining Capacity:65%
Nominal operating temperature		25°C ±3°C(77°F ±5°F)
Operating temperature range	Discharge	-15°C~50°C(5°F~122°F)
	Charge	-10°C~50°C(14°F~122°F)
	Storage	-20°C~50°C(-4°F~122°F)
Float charging voltage(25°C)		13.50 to 13.80V Temperature compensation: -18mV/°C
Cyclic charging voltage(25°C)		14.50 to 15.00V Temperature compensation: -30mV/°C
Maximum charging current		46.5A
Terminal material		Copper
Maximum discharge current		1100A(5 sec.)
Designed floating life(20°C)		12years

● **Construction**

Component	Positive plate	Negative plate	Container	Cover	Separator	Electrolyte	Safety valve	Terminal
Raw material	lead dioxide	Lead	ABS	ABS	AGM	Sulfuric acid	Rubber	Copper

● **Constant Current Discharge Characteristics Unit:A(25°C,77°F)**

F.V/Time	15min	30min	60min	2h	3h	4h	5h	6h	8h	10h	20h
9.60V	255	153	93.9	56.6	40.8	32.6	27.8	24.2	19.1	15.8	8.36
9.90V	249	150	92.5	56.3	40.5	32.4	27.7	24.0	19.0	15.7	8.35
10.2V	240	145	90.1	55.8	40.3	32.2	27.5	23.9	18.9	15.7	8.32
10.5V	232	142	87.3	55.0	40.0	31.9	27.3	23.7	18.8	15.6	8.27
10.8V	219	136	84.5	53.6	38.8	31.0	26.5	23.0	18.2	15.5	8.22

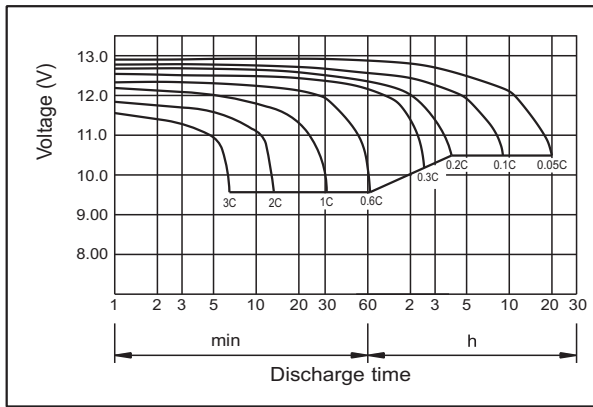
● **Constant Power Discharge Characteristics Unit:W(25°C,77°F)**

F.V/Time	15min	30min	60min	2h	3h	4h	5h	6h	8h	10h	20h
9.60V	2802	1713	1070	656	480	383	329	286	227	118	100
9.90V	2735	1679	1054	652	477	381	327	284	226	118	100
10.2V	2634	1627	1027	646	474	378	325	282	224	187	99.9
10.5V	2544	1588	995	636	470	375	322	280	223	186	99.3
10.8V	2410	1530	963	620	456	364	313	272	216	185	98.6

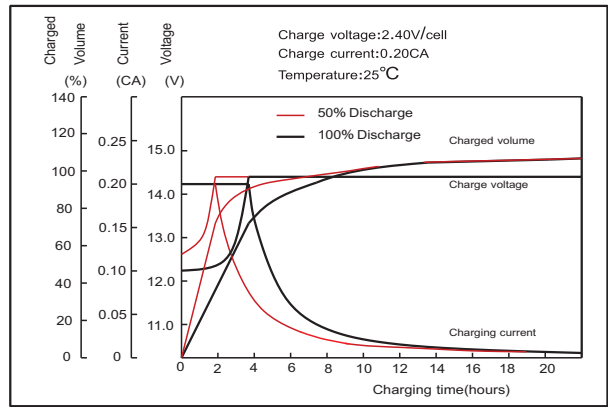
Note: The above characteristics data can be obtained within three charge or discharge cycles.

FT12-155Ah 12V155Ah

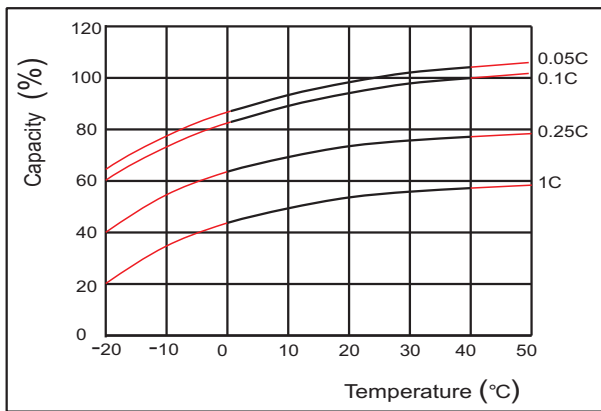
Discharge characteristics(25°C)



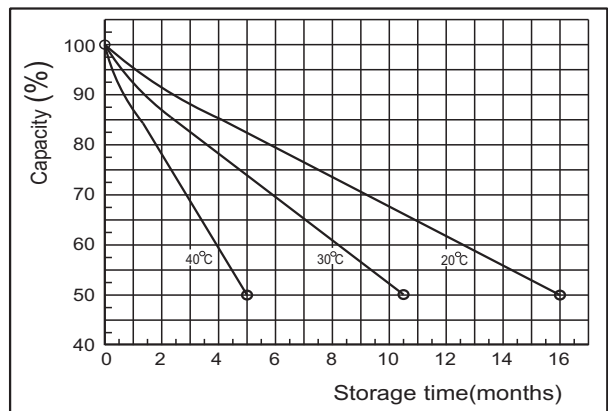
Charging characteristics



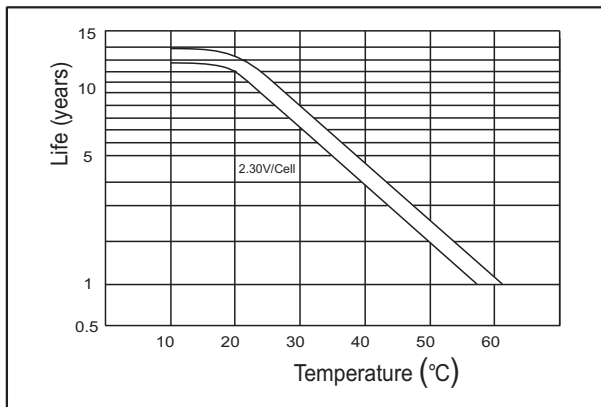
Temperature effects on Capacity



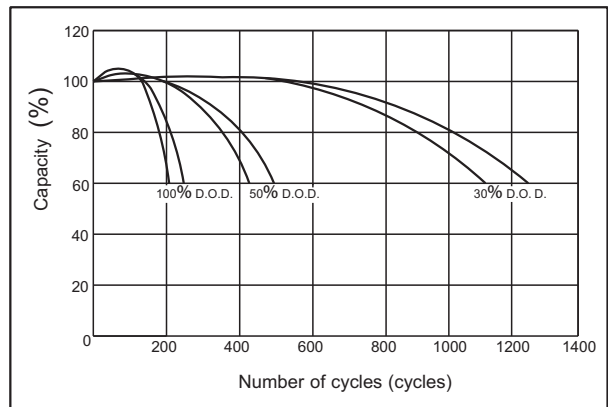
Self-discharge characteristics



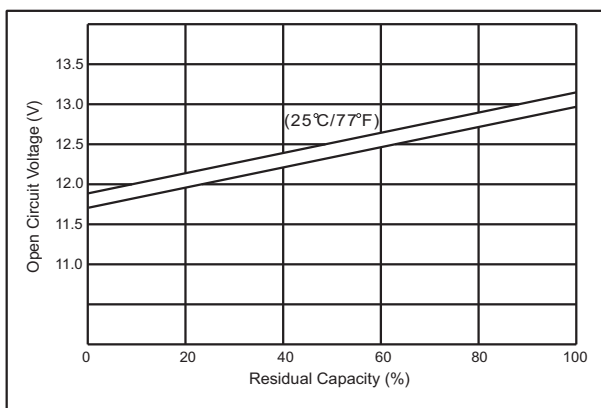
Temperature effects on float life



Cycle service life in relation to depth of discharge



The relationship for OCV and Capacity (25°C)



The relationship for Charging voltage and Temperature

