

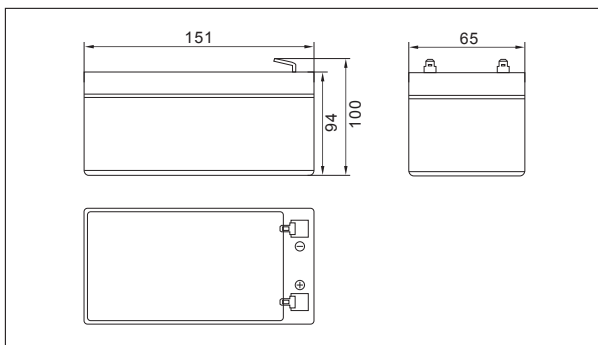
NP12-8Ah 12V8Ah

Specifications

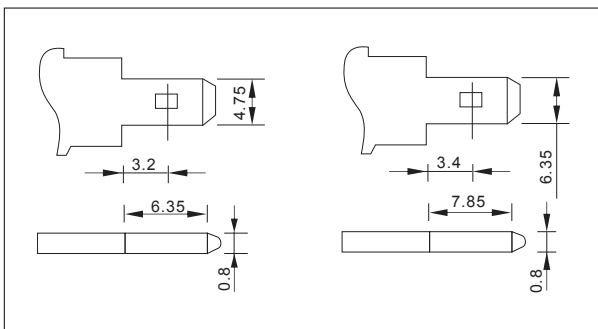
Nominal Voltage		12V
Rated capacity (20 hour rate)		8Ah
Dimensions	Length	151±1.5mm(5.94inch)
	Width	65±1mm(2.56inch)
	Height	94±1mm(3.70inch)
	Total Height	100±1mm(3.94inch)
Approx. Weight		2.35kg(5.18lbs)±4%



Outer dimensions (mm)



Terminal Type (mm)



Construction

Component	Positive plate	Negative plate	Container	Cover	Separator	Electrolyte	Safety valve	Terminal
Raw material	Lead dioxide	Lead	ABS	ABS	AGM	Sulfuric acid	Rubber	Copper

Constant Current Discharge Characteristics Unit:A(25°C,77°F)

F.V/Time	5min	10min	15min	30min	60min	2h	3h	4h	5h	10h	20h
9.60V	30.6	19.4	15.1	8.52	5.24	2.87	1.98	1.64	1.40	0.76	0.41
9.90V	29.6	18.8	14.8	8.35	5.16	2.85	1.97	1.63	1.39	0.75	0.40
10.2V	28.4	18.0	14.2	8.09	5.03	2.82	1.96	1.62	1.38	0.75	0.40
10.5V	27.2	17.2	13.7	7.90	4.93	2.78	1.94	1.61	1.37	0.75	0.40
10.8V	25.7	16.3	13.0	7.61	4.78	2.71	1.89	1.56	1.33	0.73	0.39

Constant Power Discharge Characteristics Unit:W(25°C,77°F)

F.V/Time	5min	10min	15min	30min	60min	2h	3h	4h	5h	10h	20h
9.60V	341	218	172	97.6	60.7	33.5	23.6	19.5	16.7	9.09	4.87
9.90V	331	212	168	95.7	59.8	33.3	23.4	19.4	16.6	9.06	4.85
10.2V	317	203	162	92.8	58.3	33.0	23.3	19.3	16.4	9.01	4.83
10.5V	304	194	157	90.5	57.1	32.5	23.1	19.2	16.3	8.96	4.80
10.8V	286	183	148	87.2	55.3	31.7	22.4	18.6	15.8	8.78	4.70

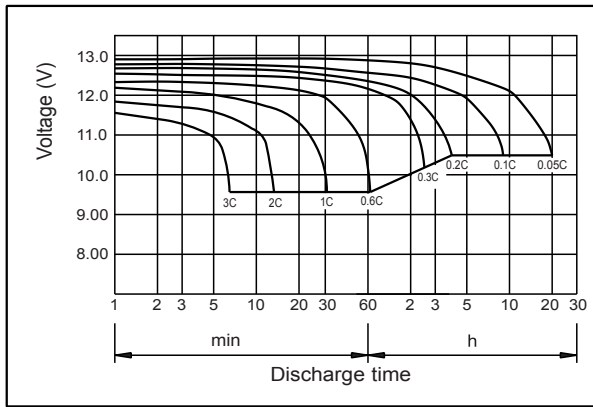
Note: The above characteristics data can be obtained within three charge or discharge cycles.

Characteristics

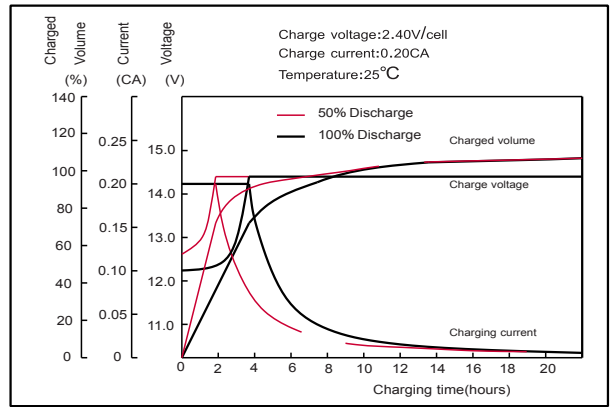
Capacity (25°C)	20HR(10.5V)	8Ah
	10HR(10.5V)	7.5Ah
	1HR(9.60V)	4.8Ah
Terminal type		T1/T2
Internal resistance (Fully charged,25°C)		Approx.20m Ω
Capacity affected by temperature (20HR)	40°C	102%
	25°C	100%
	0°C	85%
	-15°C	65%
Self-discharge (25°C)	3month	Remaining Capacity:91%
	6month	Remaining Capacity:82%
	12month	Remaining Capacity:65%
Nominal operating temperature		25°C ±3°C(77°F ±5°F)
Operating temperature range	Discharge	-15°C~50°C(5°F~122°F)
	Charge	-10°C~50°C(14°F~122°F)
	Storage	-20°C~50°C(-4°F~122°F)
Float charging voltage(25°C)		13.50 to 13.80V Temperature compensation: -18mV/°C
Cyclic charging voltage(25°C)		14.50 to 15.00V Temperature compensation: -30mV/°C
Maximum charging current		2.4A
Maximum discharge current		120A(5 sec.)
Designed floating life(20°C)		5 years

NP12-8Ah 12V8Ah

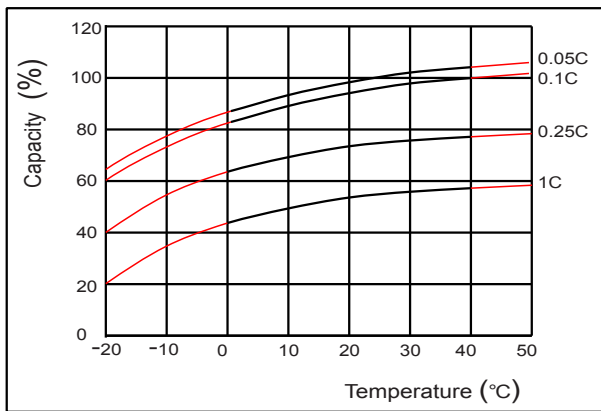
● **Discharge characteristics(25°C)**



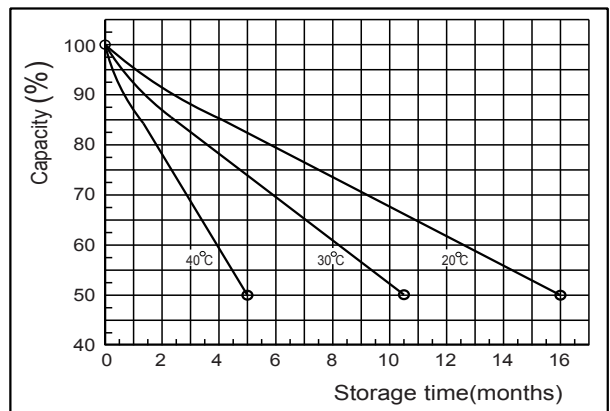
● **Charging characteristics (25°C)**



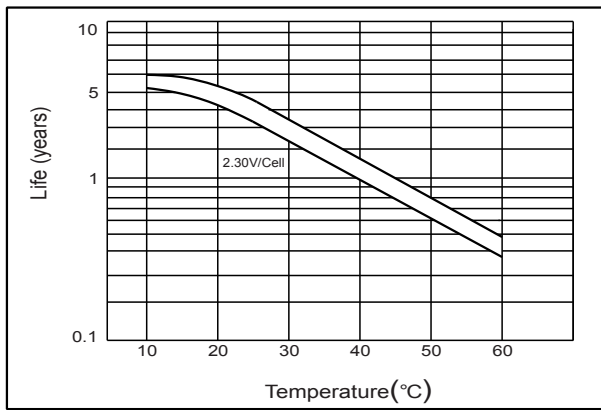
● **Effect of temperature on capacity**



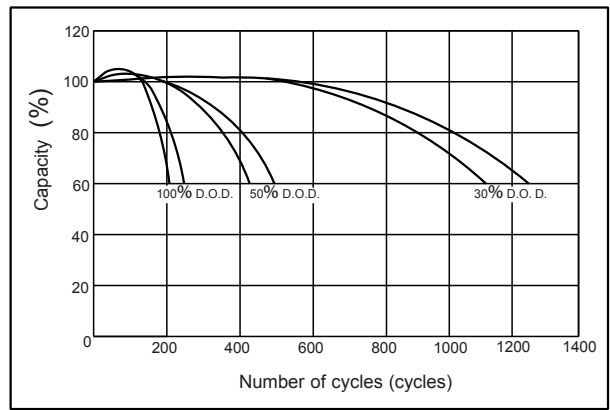
● **Self-discharge characteristics**



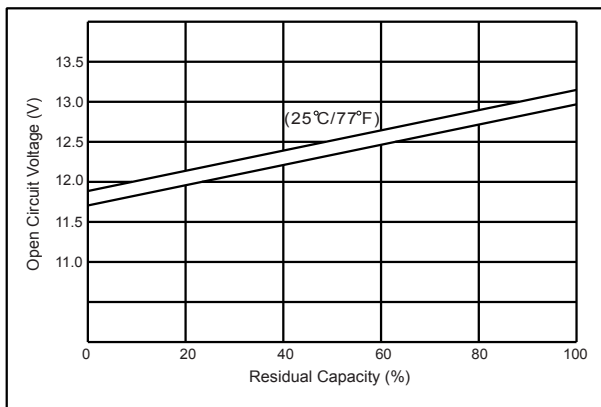
● **Floating life on temperature**



● **Cycle life on D.O.D(25°C)**



● **The relationship for OCV and Capacity (25°C)**



● **The relationship for Charging voltage and Temperature**

