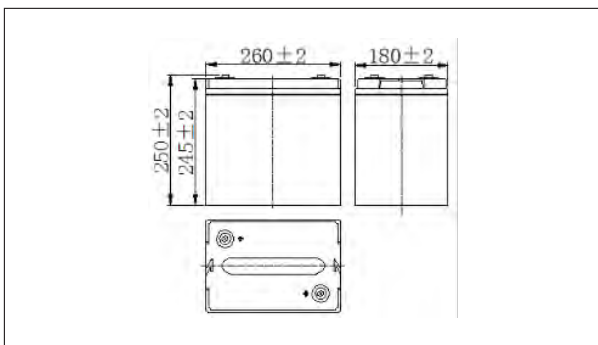


NP6-150Ah 6V150Ah

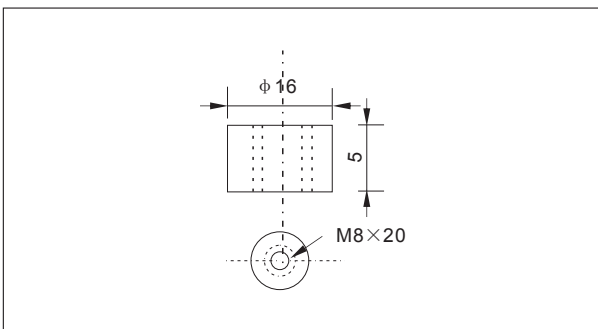
● **Specifications**

Nominal Voltage		6V
Rated capacity (10 hour rate)		150Ah
Dimensions	Length	260±2mm(10.24inch)
	Width	180±2mm(7.091inch)
	Height	245±2mm(9.65inch)
	Total Height	250±2mm(9.84inch)
Approx. Weight		24kg(52.9lbs)±3%

● **Outer dimensions (mm)**



● **Terminal Type (mm)**



● **Construction**

Component	Positive plate	Negative plate	Container	Cover	Separator	Electrolyte	Safety valve	Terminal
Raw material	Lead dioxide	Lead	ABS	ABS	AGM	Sulfuric acid	Rubber	Copper

● **Constant Current Discharge Characteristics Unit:A(25°C,77°F)**

F.V/Time	10min	15min	30min	60min	2h	3h	4h	5h	8h	10h	20h
4.80V	327	252	151	92.7	54.8	39.5	31.5	26.9	18.5	15.3	8.09
4.95V	317	246	148	91.3	54.5	39.2	31.3	26.8	18.4	15.2	8.08
5.10V	304	237	143	89.0	54.0	39.0	31.1	26.6	18.3	15.2	8.05
5.25V	291	229	140	86.2	53.2	38.7	30.9	26.4	18.2	15.1	8.01
5.40V	275	217	135	83.4	51.8	37.5	30.0	25.6	17.6	15.0	7.95

● **Constant Power Discharge Characteristics Unit:W(25°C,77°F)**

F.V/Time	10min	15min	30min	60min	2h	3h	4h	5h	8h	10h	20h
4.80V	1766	1383	846	528	317	232	185	159	110	91.2	48.6
4.95V	1713	1350	829	520	315	231	184	158	109	91.0	48.5
5.10V	1642	1300	803	507	313	229	183	157	109	90.7	48.3
5.25V	1572	1256	784	491	308	228	182	156	108	90.2	48.0
5.40V	1483	1190	755	476	300	221	176	151	105	89.6	47.7

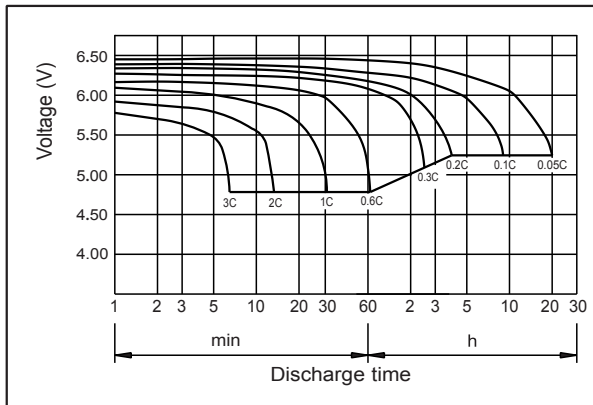
Note: The above characteristics data can be obtained within three charge or discharge cycles.

● **Characteristics**

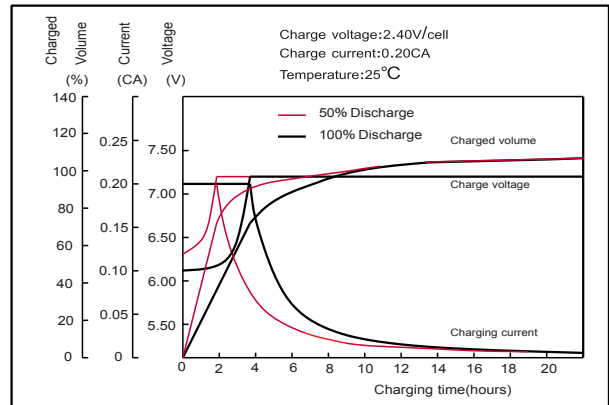
Capacity (25°C)	10HR(5.40V)	150Ah
	3HR(5.40V)	112.5Ah
	1HR(5.25V)	83Ah
Terminal type		T16
Internal resistance (Fully charged,25°C)		Approx.2.5m Ω
Capacity affected by temperature (10HR)	40°C	102%
	25°C	100%
	0°C	85%
	-15°C	65%
Self-discharge (25°C)	3month	Remaining Capacity:91%
	6month	Remaining Capacity:82%
	12month	Remaining Capacity:65%
Nominal operating temperature		25°C ±3°C(77°F ±5°F)
Operating temperature range	Discharge	-15°C~50°C(5°F~122°F)
	Charge	-10°C~50°C(14°F~122°F)
	Storage	-20°C~50°C(-4°F~122°F)
Float charging voltage(25°C)		6.75 to 6.90V Temperature compensation: -9mV/°C
Cyclic charging voltage(25°C)		7.25 to 7.50V Temperature compensation: -15mV/°C
Maximum charging current		45A
Terminal material		Copper
Maximum discharge current		1200A(5 sec.)
Designed floating life(20°C)		10years

NP6-150Ah 6V150Ah

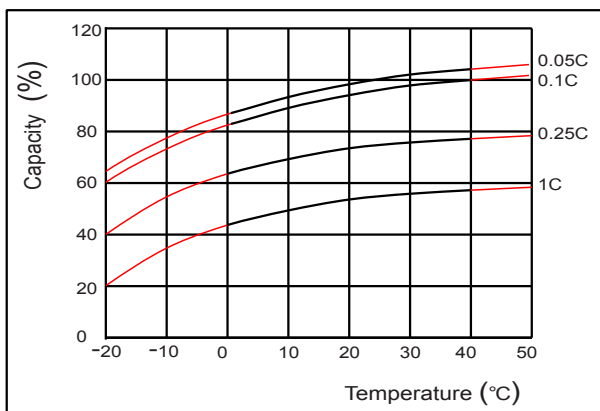
● Discharge characteristics(25°C)



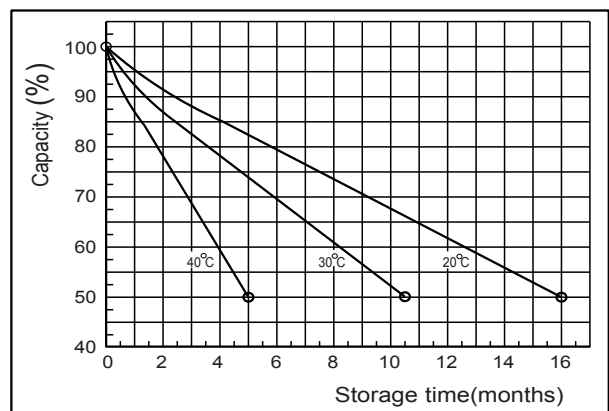
● Charging characteristics(25°C)



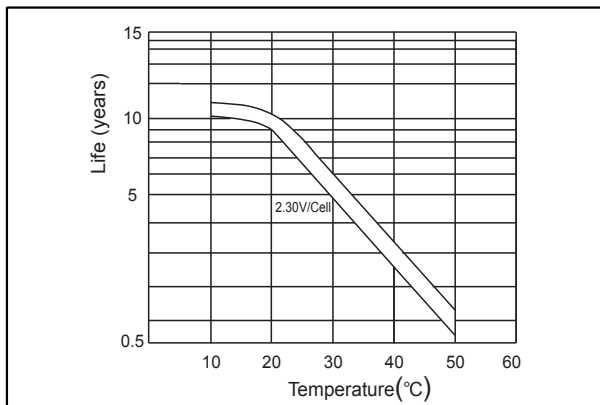
● Effect of temperature on capacity



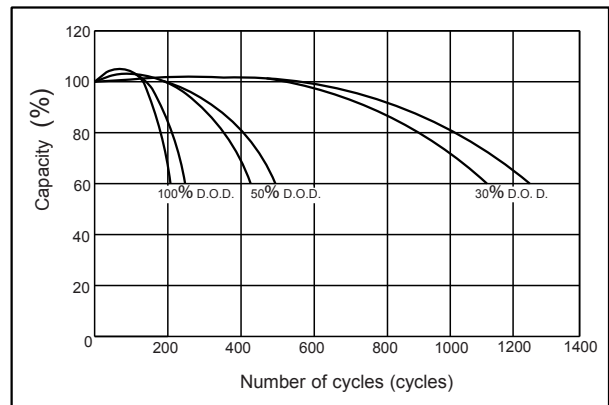
● Self-discharge characteristics



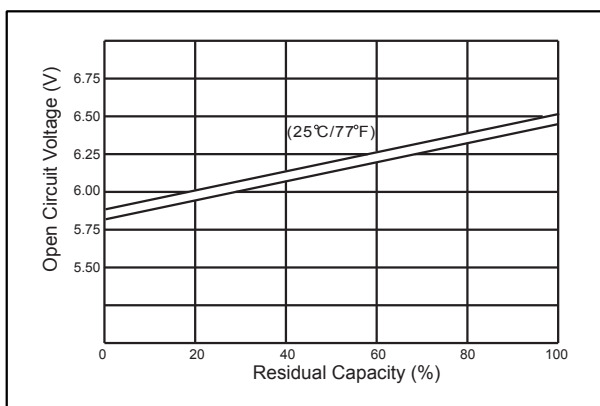
● Floating life on temperature



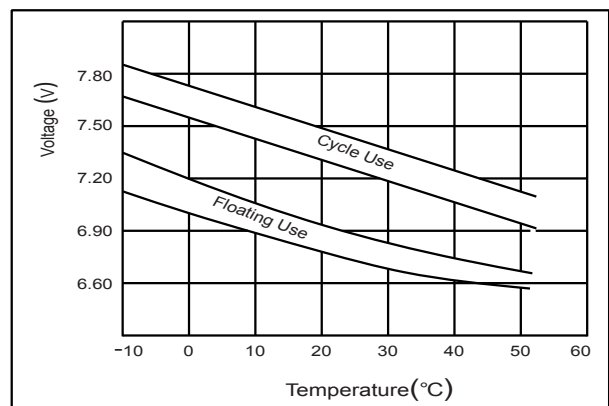
● Cycle life on D.O.D (25°C)



● The relationship for OCV and Capacity (25°C)



● The relationship for Charging voltage and Temperature



MH47211