

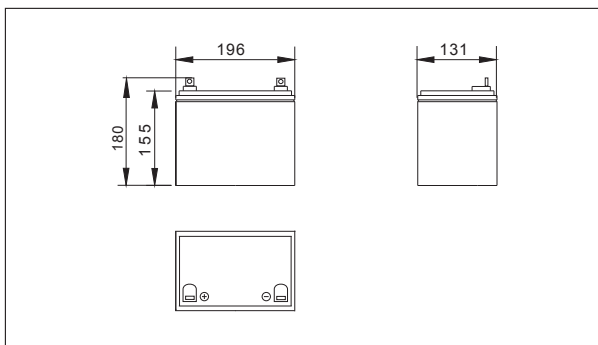
NP12-33Ah 12V33Ah

● Specifications

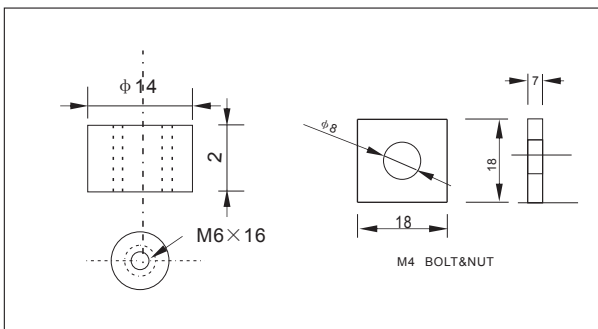
Nominal Voltage		12V
Rated capacity (10 hour rate)		33Ah
Dimensions	Length	195±2mm(7.68inch)
	Width	130±2mm(5.12inch)
	Height	155±2mm6.10inch)
	Total Height	T14:167±2mm(6.57inch) T6:180±2mm(7.09inch)
Approx. Weight		10kg(22.0lbs)±4%



● Outer dimensions (mm)



● Terminal Type (mm)



● Construction

Component	Positive plate	Negative plate	Container	Cover	Separator	Electrolyte	Safety valve	Terminal
Raw material	Lead dioxide	Lead	ABS	ABS	AGM	Sulfuric acid	Rubber	Copper / lead

● Constant Current Discharge Characteristics Unit:A(25°C,77°F)

F.V/Time	10min	15min	30min	60min	2h	3h	4h	5h	8h	10h	20h
9.60V	71.9	55.4	33.2	20.4	12.1	8.68	6.93	5.92	4.07	3.36	1.78
9.90V	69.8	54.1	32.5	20.1	12.0	8.63	6.89	5.89	4.05	3.35	1.78
10.2V	66.9	52.1	31.5	19.6	11.9	8.57	6.85	5.85	4.02	3.34	1.77
10.5V	64.0	50.3	30.7	19.0	11.7	8.51	6.80	5.81	3.99	3.32	1.76
10.8V	60.4	47.7	29.6	18.4	11.4	8.26	6.59	5.63	3.87	3.30	1.75

● Constant Power Discharge Characteristics Unit:W(25°C,77°F)

F.V/Time	10min	15min	30min	60min	2h	3h	4h	5h	8h	10h	20h
9.60V	777	609	372	232	140	102	81.5	70.0	48.4	40.1	21.4
9.90V	754	594	365	229	139	102	81.1	69.6	48.1	40.0	21.3
10.2V	723	572	354	223	138	101	80.5	69.1	47.8	39.9	21.3
10.5V	691	553	345	216	136	100	79.9	68.7	47.4	39.7	21.1
10.8V	653	524	332	209	132	97.1	77.5	66.6	46.0	39.4	21.0

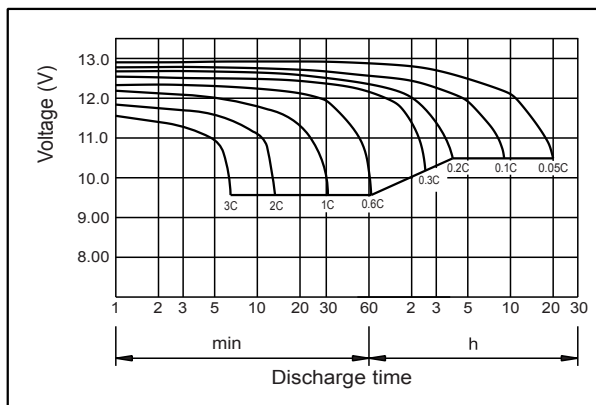
Note: The above characteristics data can be obtained within three charge or discharge cycles.

● Characteristics

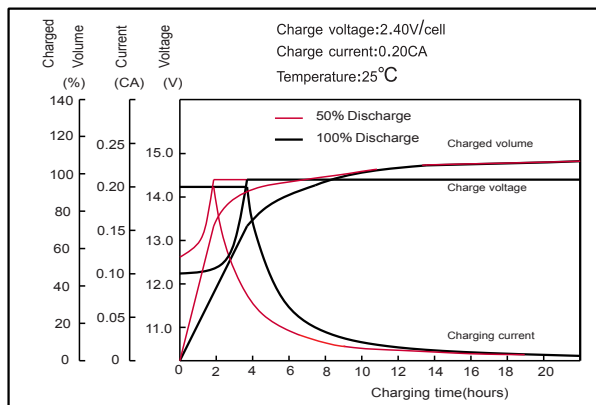
Capacity (25°C)	10HR(10.8V)	33Ah
	3HR(10.8V)	24Ah
	1HR(10.5V)	19Ah
Terminal type		T14/T6
Internal resistance (Fully charged,25°C)		Approx. 11m Ω
Capacity affected by temperature (10HR)	40°C	102%
	25°C	100%
	0°C	85%
	-15°C	65%
Self-discharge (25°C)	3month	Remaining Capacity:91%
	6month	Remaining Capacity:82%
	12month	Remaining Capacity:65%
Nominal operating temperature		25°C ±3°C(77°F ±5°F)
Operating temperature range	Discharge	-15°C~50°C(5°F~122°F)
	Charge	-10°C~50°C(14°F~122°F)
	Storage	-20°C~50°C(-4°F~122°F)
Float charging voltage(25°C)		13.50 to 13.80V Temperature compensation: -18mV/°C
Cyclic charging voltage(25°C)		14.50 to 15.00V Temperature compensation: -30mV/°C
Maximum charging current		9.9A
Terminal material		Copper/Lead
Maximum discharge current		330A(5 sec.)
Designed floating life(20°C)		10years

NP12-33Ah 12V33Ah

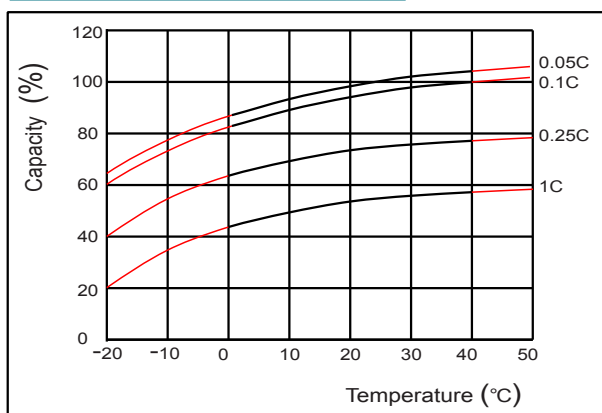
● Discharge characteristics(25°C)



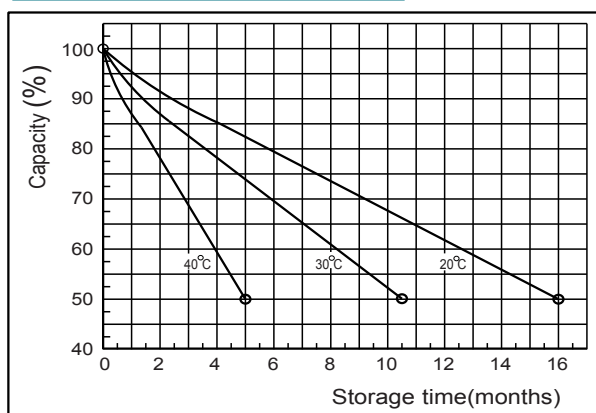
● Charging characteristics (25°C)



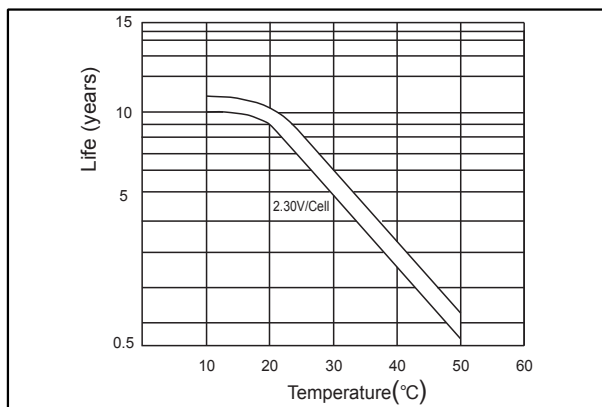
● Temperature effects on Capacity



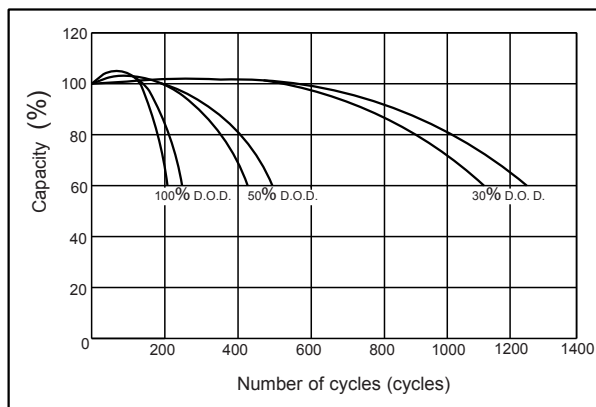
● Self-discharge characteristics



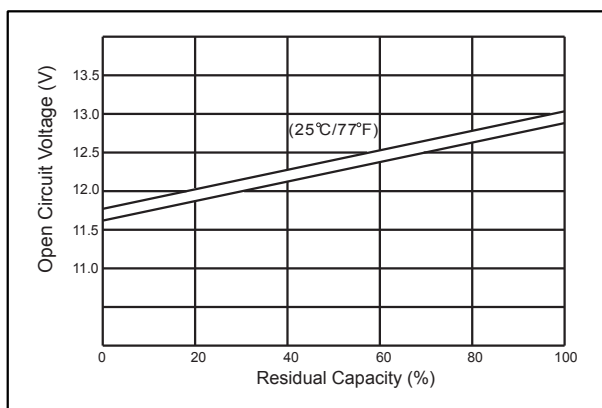
● Floating life on Temperature



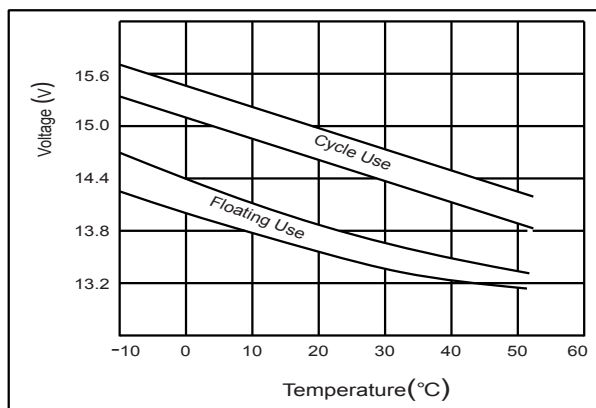
● Cycle life on D.O.D (25°C)



● The relationship for OCV and Capacity (25°C)



● The relationship for Charging voltage and Temperature



MH47211