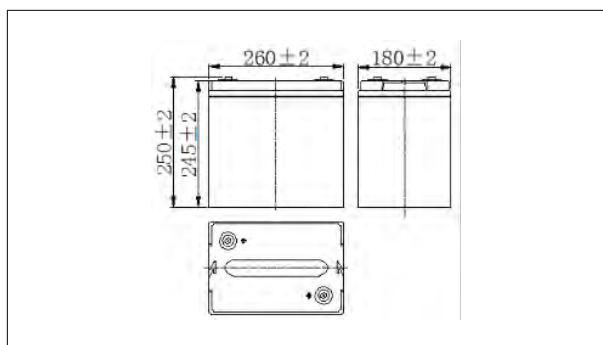


NPD6-150Ah 6V150Ah

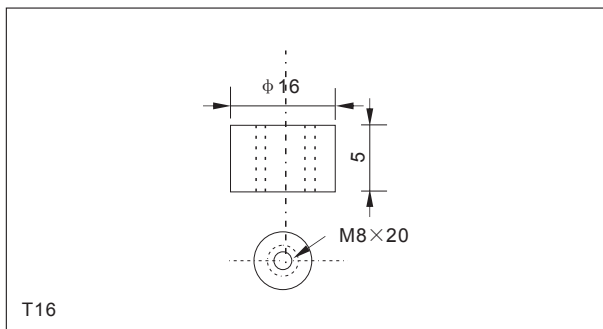
Specifications

Nominal Voltage	6V	
Rated capacity (10 hour rate)	150Ah	
Dimensions	Length	260±2mm(10.24inch)
	Width	180±2mm(7.09inch)
	Height	245±2mm(9.65inch)
	Total Height	250±2mm(9.84inch)
Approx. Weight	25.5kg(56.2lbs)±3%	

Outer dimensions (mm)



Terminal Type (mm)



Characteristics

Capacity (25°C)	10HR(5.40V)	150Ah
	3HR(5.40V)	114Ah
	1HR(5.25V)	85Ah
Terminal type		T16
Internal resistance (Fully charged,25°C)		Approx.2.3m Ω
Capacity affected by temperature (10HR)	40°C	102%
	25°C	100%
	0°C	85%
	-15°C	65%
Self-discharge (25°C)	3 months	Remaining Capacity:91%
	6 months	Remaining Capacity:82%
	12 months	Remaining Capacity:65%
Nominal operating temperature		25°C ±3°C(77°F ±5°F)
Operating temperature range	Discharge	-15°C~50°C(5°F~122°F)
	Charge	-10°C~50°C(14°F~122°F)
	Storage	-20°C~50°C(-4°F~122°F)
Float charging voltage(25°C)		6.75 to 6.90V Temperature compensation: -9mV/°C
Cyclic charging voltage(25°C)		7.25 to 7.50V Temperature compensation: -15mV/°C
Maximum charging current		45A
Maximum discharge current		1200A(5 sec.)
Designed floating life(20°C)		10years

Construction

Component	Positive plate	Negative plate	Container	Cover	Separator	Electrolyte	Safety valve	Terminal
Raw material	Lead dioxide	Lead	ABS	ABS	AGM	Sulfuric acid	Rubber	Copper

Constant Current Discharge Characteristics Unit:A(25°C,77°F)

F.V/Time	10min	15min	30min	60min	2h	3h	4h	5h	8h	10h	20h
4.80V	338	260	156	95.8	56.6	40.8	32.6	27.8	19.1	15.8	8.36
4.95V	328	254	153	94.4	56.3	40.5	32.4	27.7	19.0	15.7	8.35
5.10V	314	245	148	92.0	55.8	40.3	32.2	27.5	18.9	15.7	8.32
5.25V	301	236	144	89.1	55.0	40.0	31.9	27.3	18.8	15.6	8.27
5.40V	285	224	139	86.2	53.6	38.8	31.0	26.5	18.2	15.5	8.22

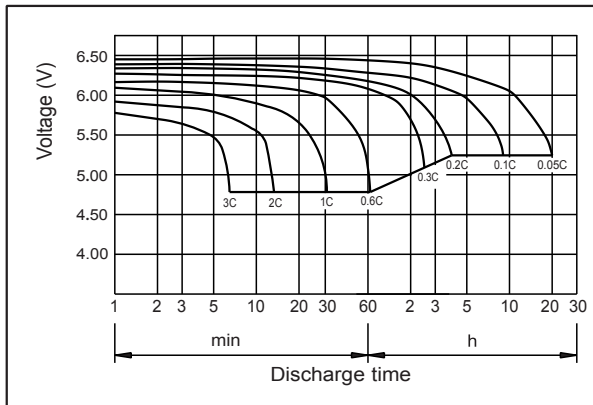
Constant Power Discharge Characteristics Unit:W(25°C,77°F)

F.V/Time	10min	15min	30min	60min	2h	3h	4h	5h	8h	10h	20h
4.80V	1825	1430	874	546	328	240	192	164	114	94.2	50.2
4.95V	1770	1395	856	538	326	238	190	163	113	94.0	50.1
5.10V	1697	1344	830	524	323	237	189	162	112	93.7	49.9
5.25V	1624	1298	810	508	318	235	188	161	111	93.2	49.6
5.40V	1533	1229	780	491	310	228	182	156	108	92.5	49.3

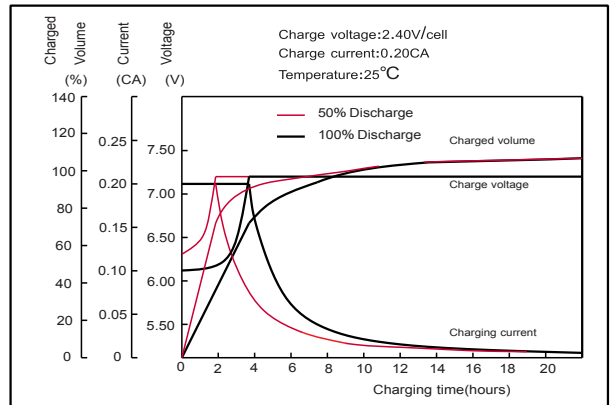
Note: The above characteristics data can be obtained within three charge or discharge cycles.

NPD6-150Ah 6V150Ah

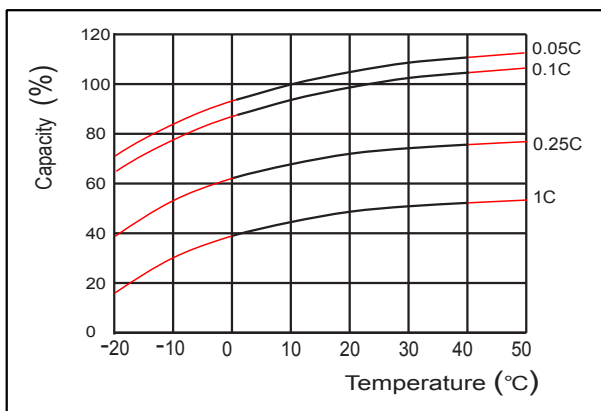
Discharge characteristics(25°C)



Charging characteristics(25°C)



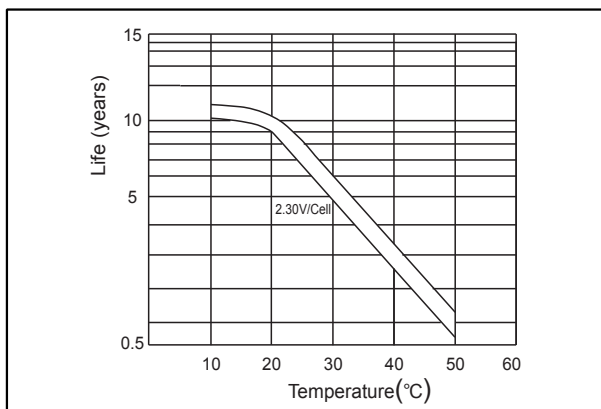
Effect of temperature on capacity



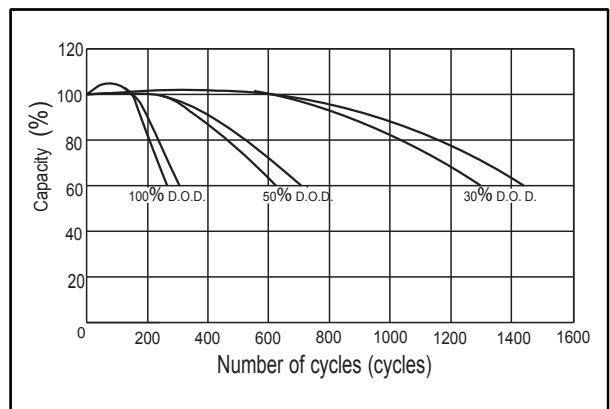
Self-discharge characteristics



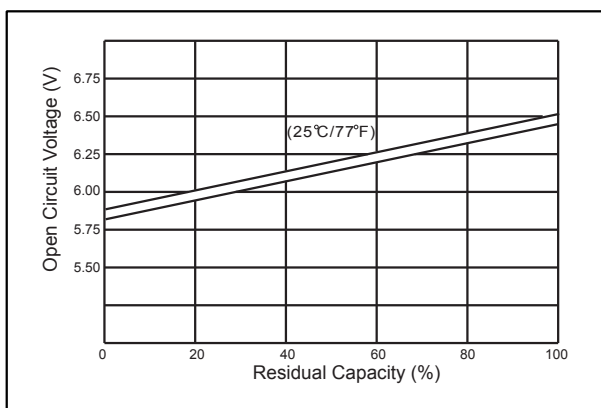
Floating life on temperature



Cycle life on D.O.D (25°C)



The relationship for OCV and Capacity (25°C)



The relationship for Charging voltage and Temperature

