

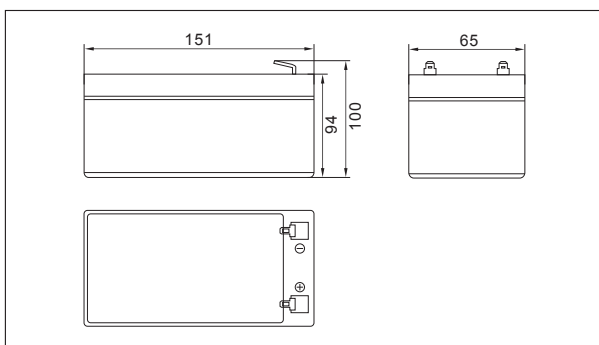
HR1234W (12V34 Watts/cell)

Specifications

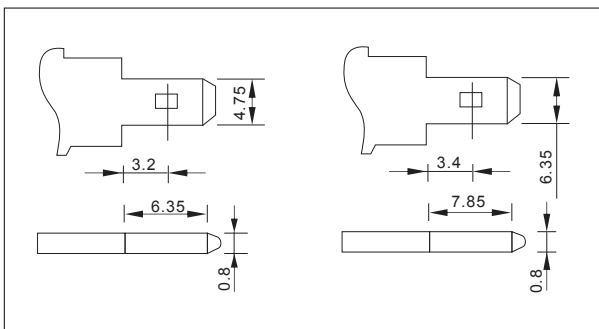
Nominal Voltage	12V	
Number of cell	6 cells	
Rated capacity(15min.rat)	34 Watts/cell	
Dimensions	Length	151±1.5mm(5.94inch)
	Width	65±1mm(2.56inch)
	Height	94±1mm(3.70inch)
	Total Height	100±1mm(3.90inch)
Approx. Weight	2.6kg(5.73lbs)±4%	



Outer dimensions (mm)



Terminal Type (mm)



Construction

Component	Positive plate	Negative plate	Container	Cover	Separator	Electrolyte	Safety valve	Terminal
Raw material	Leaddioxide	Lead	ABS	ABS	AGM	Sulfuric acid	Rubber	Copper

Constant Current Discharge Characteristics Unit:A(25°C,77°F)

F.V/Time	5min	10min	15min	20min	30min	45min	60min	2h	3h	4h	5h
1.60V/cell	36.8	22.7	17.8	14.1	9.55	7.07	5.78	3.31	2.35	1.89	1.62
1.67V/cell	35.2	21.7	17.2	13.5	9.24	6.84	5.64	3.28	2.33	1.87	1.61
1.70V/cell	34.2	21.1	16.7	13.2	9.07	6.72	5.55	3.26	2.32	1.87	1.60
1.75V/cell	32.8	20.2	16.2	12.8	8.85	6.55	5.44	3.21	2.30	1.85	1.59
1.80V/cell	30.9	19.0	15.3	12.1	8.53	6.31	5.27	3.13	2.23	1.80	1.55

Constant Power Discharge Characteristics Unit:W(25°C,77°F)

F.V/Time	5min	10min	15min	20min	30min	45min	60min	2h	3h	4h	5h
1.60V/cell	70.7	44.0	35.3	27.9	18.9	14.0	11.5	6.58	4.72	3.80	3.27
1.67V/cell	67.5	42.0	34.0	26.8	18.3	13.5	11.2	6.52	4.68	3.77	3.24
1.70V/cell	65.7	40.9	33.1	26.2	18.0	13.3	11.0	6.48	4.66	3.75	3.22
1.75V/cell	62.9	39.1	32.0	25.3	17.5	13.0	10.8	6.39	4.63	3.73	3.20
1.80V/cell	59.4	37.0	30.3	24.0	16.9	12.5	10.4	6.22	4.49	3.61	3.11

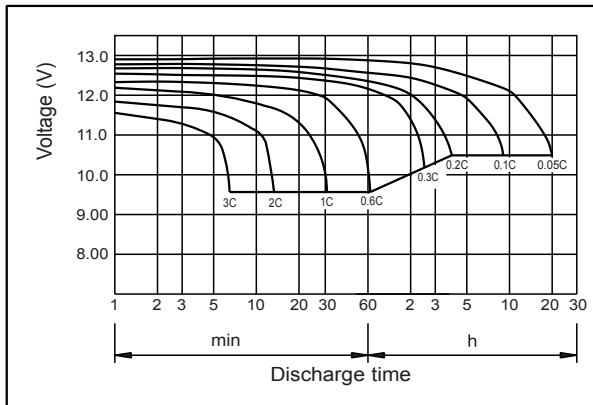
Note: The above characteristics data can be obtained within three charge or discharge cycles.

Characteristics

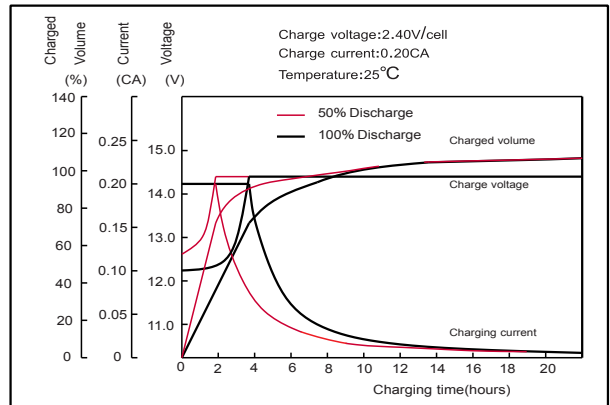
Capacity(20HR,25°C)	9Ah	
Capacity(15min.rate,25°C)	34 Watts/cell	
Terminal type	T2/T1	
Internal resistance (Fully charged,25°C)	Approx. 14m Ω	
Capacity affected by temperature (20HR)	40°C	102%
	25°C	100%
	0°C	85%
	-15°C	65%
Self-discharge (25°C)	3month	Remaining Capacity:91%
	6month	Remaining Capacity:82%
	12month	Remaining Capacity:65%
Nominal operating temperature	25°C ±3°C(77°F ±5°F)	
Operating temperature range	Discharge	-15°C~50°C(5°F~122°F)
	Charge	-10°C~50°C(14°F~122°F)
	Storage	-20°C~50°C(-4°F~122°F)
Float charging voltage(25°C)	13.50 to 13.80V Temperature compensation: -18mV/°C	
Cyclic charging voltage(25°C)	14.50 to 15.00V Temperature compensation: -30mV/°C	
Maximum charging current	2.7A	
Terminal material	Copper	
Maximum discharge current	135A(5 sec.)	
Designed floating life(20°C)	5years	

HR1234W (12V34 Watts/cell)

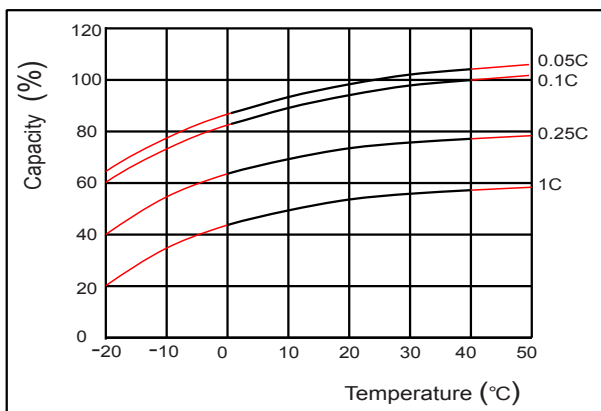
● Discharge characteristics(25°C)



● Charging characteristics (25°C)



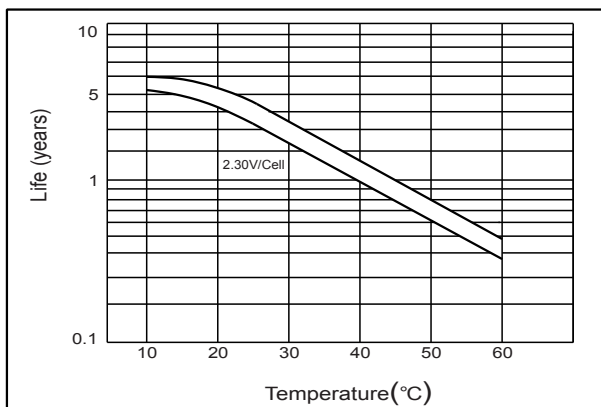
● Effect of Temperature on Capacity



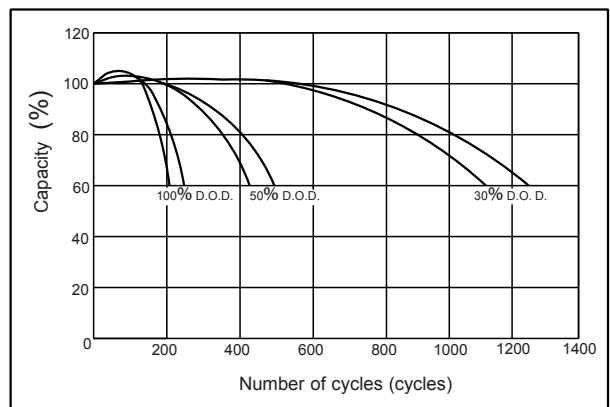
● Self-discharge characteristics



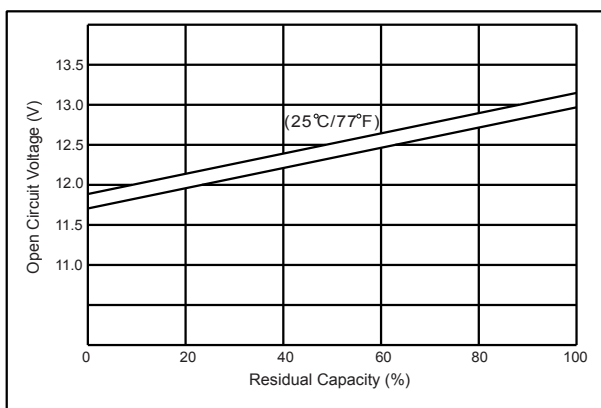
● Floating Life on Temperature



● Cycle service Life on D.O.D (25°C)



● The relationship for OCV and Capacity (25°C)



● The relationship for Charging voltage and Temperature

