

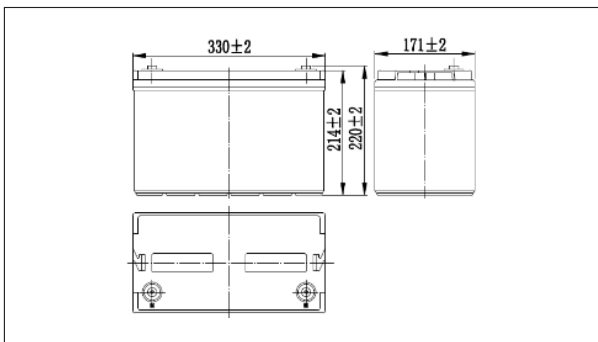
## HR12390W (12V390 Watts/cell)

### Specifications

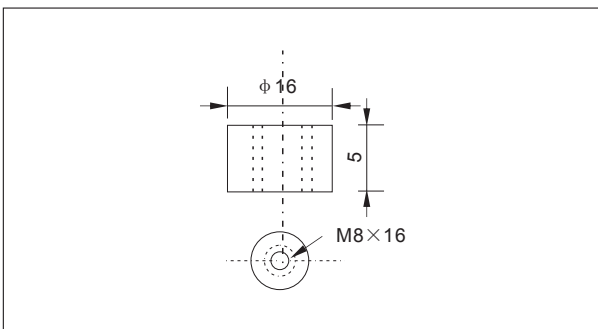
Nominal Voltage	12V	
Number of cell	6 cells	
Rated capacity(15min.rat)	390 Watts/cell	
Dimensions	Length	330±2mm(12.99inch)
	Width	171±2mm(6.73inch)
	Height	214±2mm(8.43inch)
	Total Height	220±2mm(8.66inch)
Approx. Weight	32.7kg(72.1lbs)±3%	



### Outer dimensions (mm)



### Terminal Type (mm)



### Construction

Component	Positive plate	Negative plate	Container	Cover	Separator	Electrolyte	Safety valve	Terminal
Raw material	Leaddioxide	Lead	ABS	ABS	AGM	Sulfuric acid	Rubber	Copper

### Constant Current Discharge Characteristics Unit:A(25°C,77°F)

F.V/Time	10min	15min	20min	30min	45min	60min	2h	3h	4h	5h	6h
1.60V/cell	255	208	167	118	88.0	71.8	38.4	27.5	22.2	19.3	16.5
1.67V/cell	243	202	160	114	85.2	70.0	38.0	27.3	22.0	19.1	16.3
1.70V/cell	237	196	157	112	83.6	68.9	37.8	27.2	21.9	19.0	16.3
1.75V/cell	227	189	151	110	81.6	67.6	37.2	27.0	21.7	18.9	16.2
1.80V/cell	214	179	143	105	78.6	65.5	36.3	26.2	21.1	18.3	15.7

### Constant Power Discharge Characteristics Unit:W(25°C,77°F)

F.V/Time	10min	15min	20min	30min	45min	60min	2h	3h	4h	5h	6h
1.60V/cell	479	402	322	228	170	139	74.8	54.2	43.7	38.2	32.7
1.67V/cell	457	390	309	221	164	135	74.2	53.7	43.3	37.8	32.4
1.70V/cell	445	378	303	217	161	133	73.7	53.5	43.1	37.7	32.2
1.75V/cell	426	365	292	211	157	130	72.6	53.2	42.8	37.4	32.0
1.80V/cell	402	346	277	204	152	126	70.8	51.6	41.5	36.3	31.1

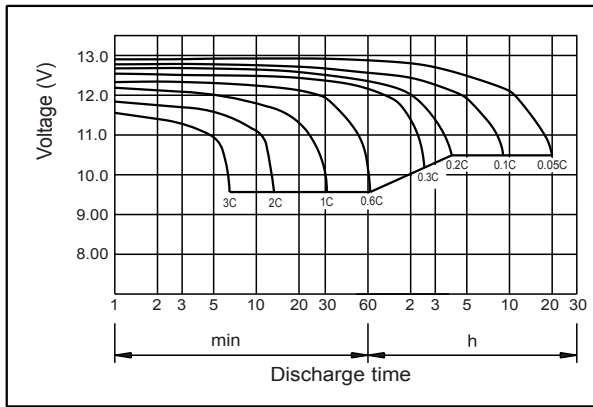
Note: The above characteristics data can be obtained within three charge or discharge cycles.

### Characteristics

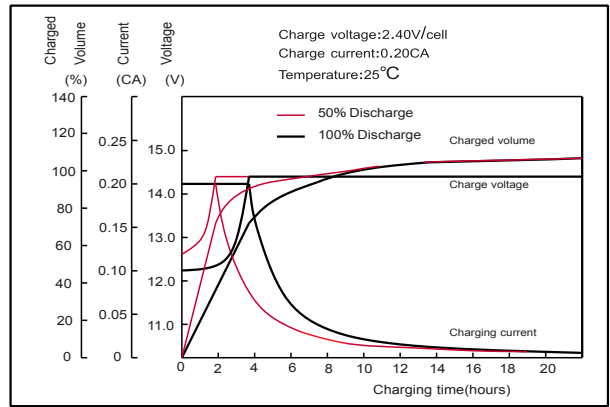
Capacity(10HR,25°C)	100Ah	
Capacity(15min.rate,25°C)	390 Watts/cell	
Terminal type	T16	
Internal resistance (Fully charged,25°C)	Approx.4m Ω	
Capacity affected by temperature (10HR)	40°C	102%
	25°C	100%
	0°C	85%
	-15°C	65%
Self-discharge (25°C)	3month	Remaining Capacity:91%
	6month	Remaining Capacity:82%
	12month	Remaining Capacity:65%
Nominal operating temperature	25°C ±3°C(77°F ±5°F)	
Operating temperature range	Discharge	-15°C~50°C(5°F~122°F)
	Charge	-10°C~50°C(14°F~122°F)
	Storage	-20°C~50°C(-4°F~122°F)
Float charging voltage(25°C)	13.50 to 13.80V Temperature compensation: -18mV/°C	
Cyclic charging voltage(25°C)	14.50 to 15.00V Temperature compensation: -30mV/°C	
Maximum charging current	30A	
Terminal material	Copper	
Maximum discharge current	800A(5 sec.)	
Designed floating life(20°C)	10years	

## HR12390W (12V390 Watts/cell)

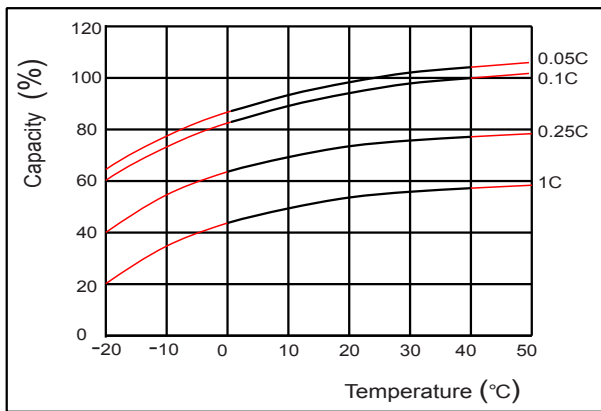
### ● Discharge characteristics(25°C)



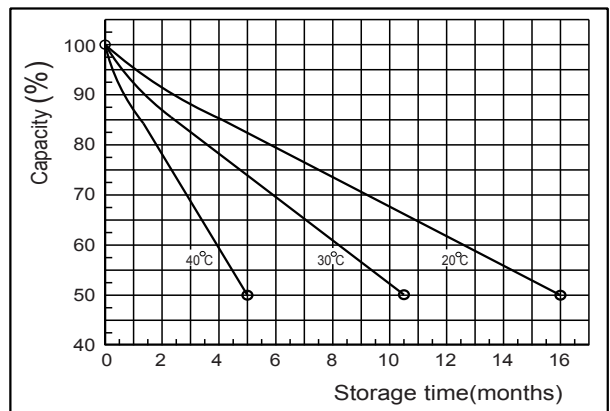
### ● Charging characteristics (25°C)



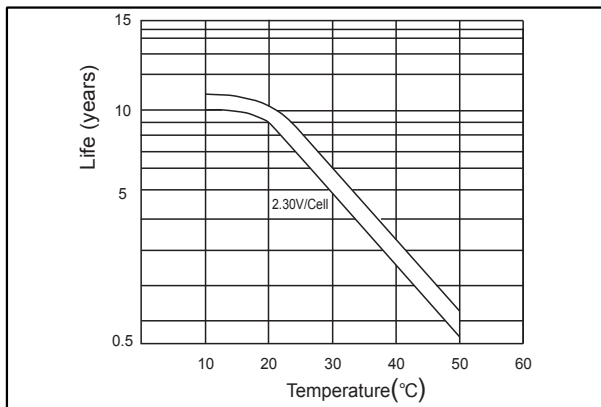
### ● Effect of Temperature on Capacity



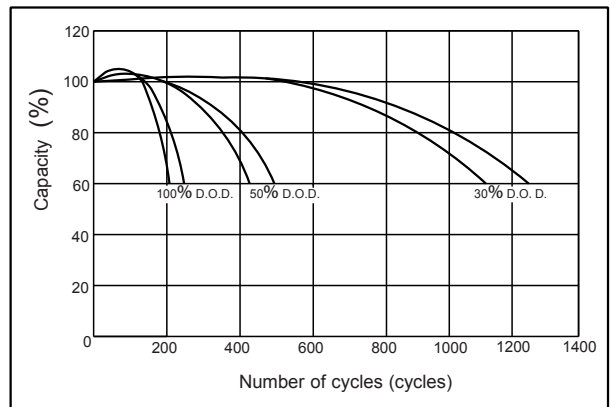
### ● Self-discharge characteristics



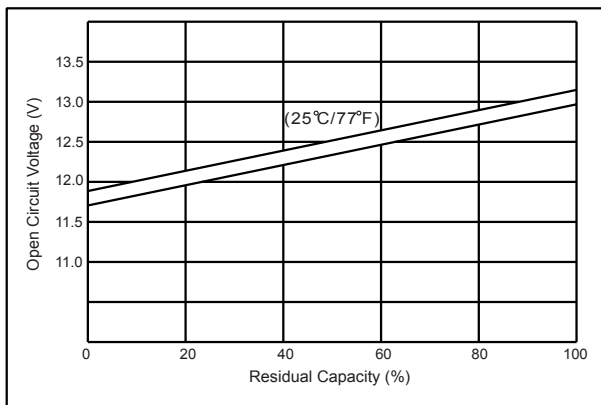
### ● Floating Life on Temperature



### ● Cycle service Life on D.O.D (25°C)



### ● The relationship for OCV and Capacity (25°C)



### ● The relationship for Charging voltage and Temperature

