

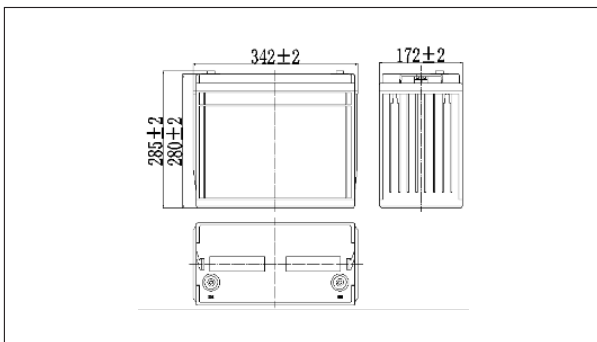
HR12475W (12V475 Watts/cell)

● Specifications

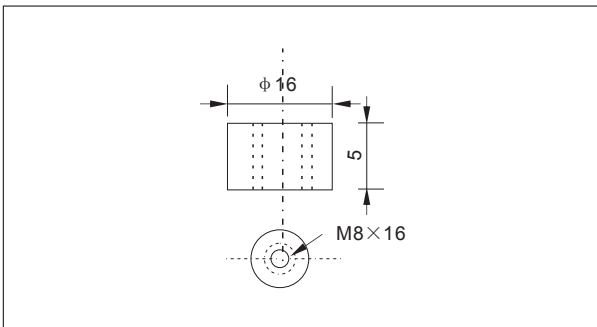
Nominal Voltage		12V
Number of cell		6 cells
Rated capacity(15min.rat)		475 Watts/cell
Dimensions	Length	342±2mm(13.46inch)
	Width	172±2mm(6.77inch)
	Height	280±2mm(11.02inch)
	Total Height	285±2mm(11.2inch)
Approx. Weight		44kg(97.0lbs)±3%



● Outer dimensions (mm)



● Terminal Type (mm)



● Construction

Component	Positive plate	Negative plate	Container	Cover	Separator	Electrolyte	Safety valve	Terminal
Raw material	Leaddioxide	Lead	ABS	ABS	AGM	Sulfuric acid	Rubber	Copper

● Constant Current Discharge Characteristics Unit:A(25°C,77°F)

F.V/Time	10min	15min	20min	30min	45min	60min	2h	3h	4h	5h	6h
1.60V/cell	310	254	203	144	107	87.5	50.1	35.9	28.9	25.2	21.5
1.67V/cell	296	246	195	139	104	85.3	49.6	35.6	28.7	24.9	21.3
1.70V/cell	285	239	191	137	102	84.0	49.3	35.5	28.6	24.8	21.2
1.75V/cell	276	231	185	133	99.4	82.3	48.6	35.2	28.4	24.7	21.1
1.80V/cell	261	218	175	129	95.8	79.8	47.3	34.2	27.5	23.9	20.5

● Constant Power Discharge Characteristics Unit:W(25°C,77°F)

F.V/Time	10min	15min	20min	30min	45min	60min	2h	3h	4h	5h	6h
1.60V/cell	584	490	392	278	207	169	97.6	70.7	57.0	49.8	42.6
1.67V/cell	557	476	376	269	200	165	96.8	70.1	56.5	49.4	42.2
1.70V/cell	543	461	369	264	197	162	96.2	69.8	56.3	49.2	42.1
1.75V/cell	519	445	356	258	192	159	94.7	69.4	55.9	48.8	41.8
1.80V/cell	490	422	337	248	185	154	92.3	67.3	54.2	47.4	40.5

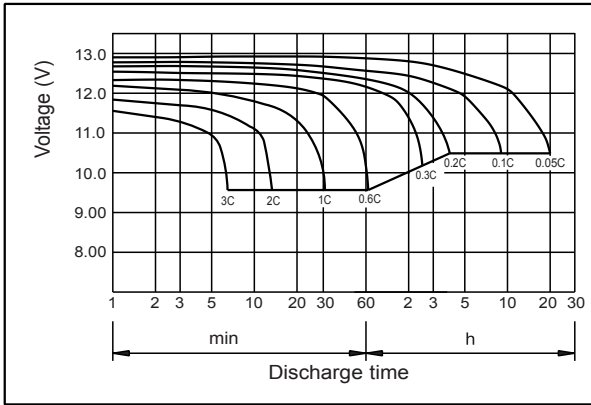
Note: The above characteristics data can be obtained within three charge or discharge cycles.

● Characteristics

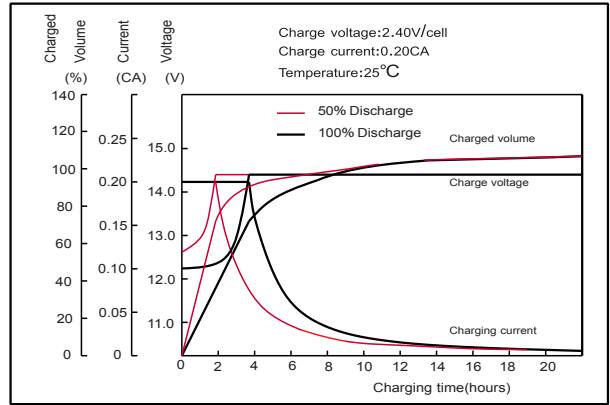
Capacity(10HR,25°C)		135Ah
Capacity(15min.rate,25°C)		475 Watts/cell
Terminal type		T16
Internal resistance (Fully charged,25°C)		Approx.3.8m Ω
Capacity affected by temperature (10HR)	40°C	102%
	25°C	100%
	0°C	85%
	-15°C	65%
Self-discharge (25°C)	3month	Remaining Capacity:91%
	6month	Remaining Capacity:82%
	12month	Remaining Capacity:65%
Nominal operating temperature		25°C ±3°C(77°F ±5°F)
Operating temperature range	Discharge	-15°C~50°C(5°F~122°F)
	Charge	-10°C~50°C(14°F~122°F)
	Storage	-20°C~50°C(-4°F~122°F)
Float charging voltage(25°C)		13.50 to 13.80V Temperature compensation: -18mV/°C
Cyclic charging voltage(25°C)		14.50 to 15.00V Temperature compensation: -30mV/°C
Maximum charging current		40.5A
Terminal material		Copper
Maximum discharge current		1050A(5 sec.)
Designed floating life(20°C)		10years

HR12475W (12V475 Watts/cell)

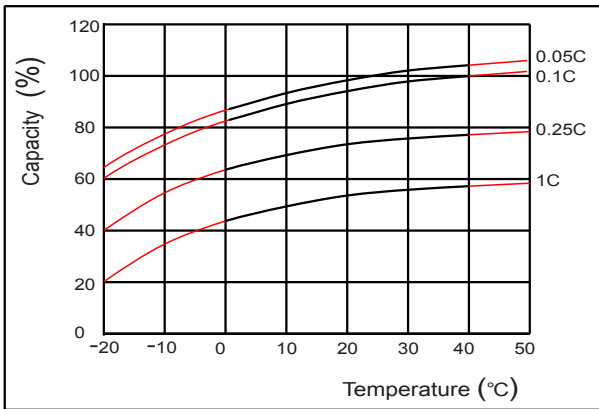
● Discharge characteristics(25°C)



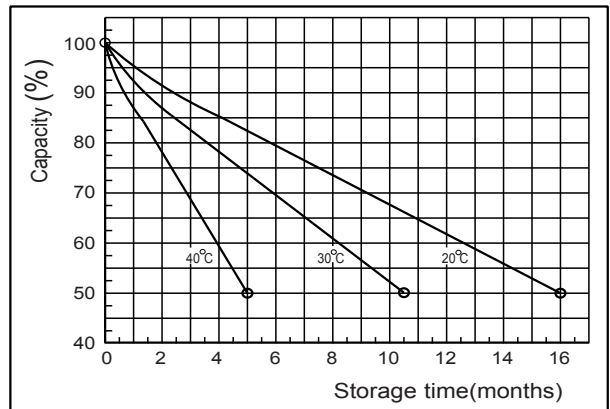
● Charging characteristics (25°C)



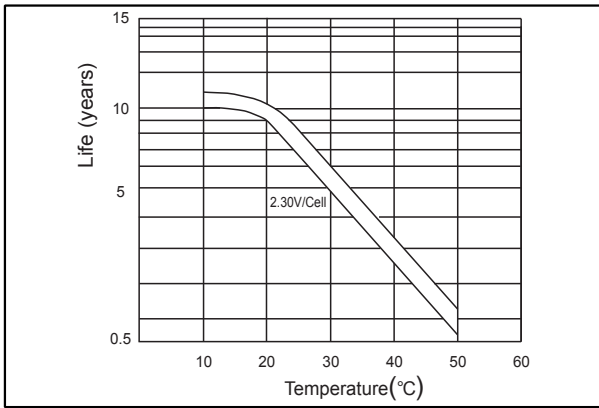
● Effect of Temperature on Capacity



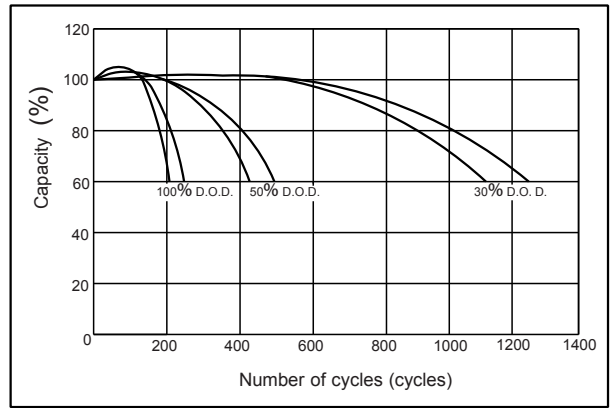
● Self-discharge characteristics



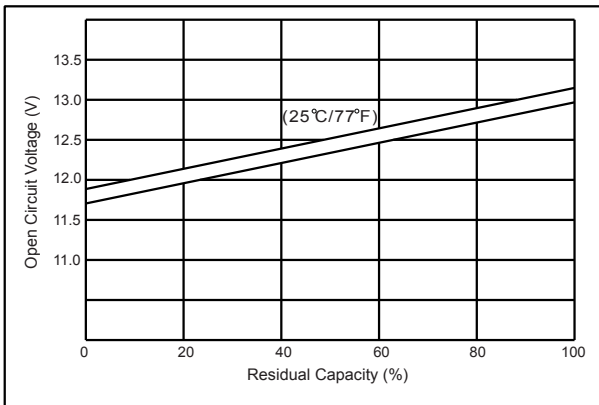
● Floating Life on Temperature



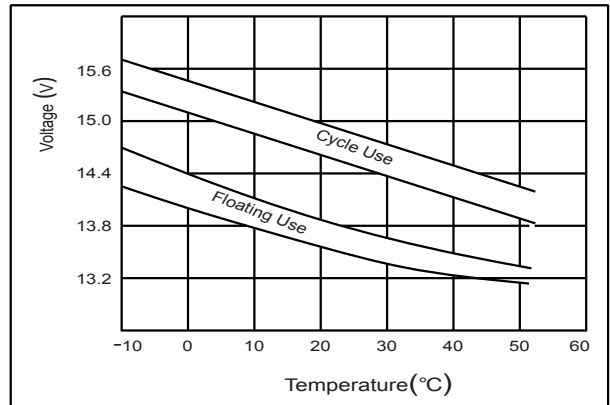
● Cycle service Life on D.O.D (25°C)



● The relationship for OCV and Capacity (25°C)



● The relationship for Charging voltage and Temperature



MH47211