

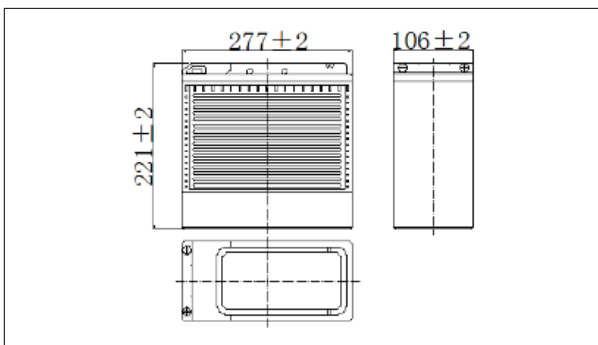
FT12-50Ah 12V50Ah



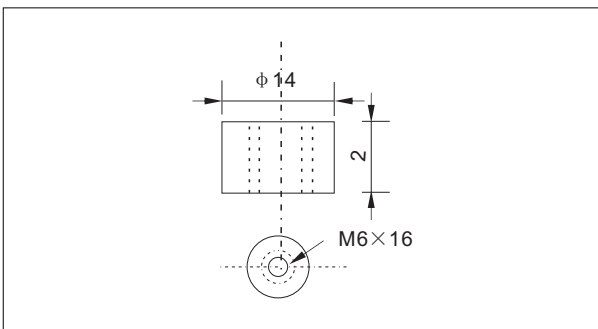
● Specifications

Nominal Voltage		12V
Rated capacity (10 hour rate)		50Ah
Dimensions	Length	277±2mm(10.91inch)
	Width	106±2mm(4.17inch)
	Height	221±2mm(8.70inch)
	Total Height	221±2mm(8.70inch)
Approx. Weight		16kg(35.3lbs)±3%

● Outer dimensions (mm)



● Terminal Type (mm)



● Characteristics

Capacity (25°C)	10HR(10.8V)	50Ah
	3HR(10.8V)	37.5Ah
	1HR(10.5V)	27.5Ah
Terminal type		T14
Internal resistance (Fully charged, 25°C)		Approx. 7.5m Ω
Capacity affected by temperature (10HR)	40°C	102%
	25°C	100%
	0°C	85%
	-15°C	65%
Self-discharge (25°C)	3month	Remaining Capacity:91%
	6month	Remaining Capacity:82%
	12month	Remaining Capacity:65%
Nominal operating temperature		25°C ±3°C(77°F ±5°F)
Operating temperature range	Discharge	-15°C~50°C(5°F~122°F)
	Charge	-10°C~50°C(14°F~122°F)
	Storage	-20°C~50°C(-4°F~122°F)
Float charging voltage(25°C)		13.50 to 13.80V Temperature compensation: -18mV/°C
Cyclic charging voltage(25°C)		14.50 to 15.00V Temperature compensation: -30mV/°C
Maximum charging current		15A
Terminal material		Copper
Maximum discharge current		400A(5 sec.)
Designed floating life(20°C)		12years

● Construction

Component	Positive plate	Negative plate	Container	Cover	Separator	Electrolyte	Safety valve	Terminal
Raw material	Lead dioxide	Lead	ABS	ABS	AGM	Sulfuric acid	Rubber	Copper

● Constant Current Discharge Characteristics Unit:A(25°C,77°F)

F.V/Time	10min	15min	30min	60min	2h	3h	4h	5h	8h	10h	20h
9.60V	107	82.3	49.2	30.3	18.3	13.2	10.5	8.98	6.17	5.09	2.70
9.90V	104	80.3	48.3	29.8	18.2	13.1	10.4	8.92	6.13	5.08	2.69
10.2V	99.3	77.4	46.8	29.1	18.0	13.0	10.4	8.86	6.09	5.07	2.68
10.5V	95.1	74.7	45.7	28.2	17.7	12.9	10.3	8.80	6.05	5.04	2.67
10.8V	89.7	70.8	44.0	27.3	17.3	12.5	10.0	8.54	5.87	5.00	2.65

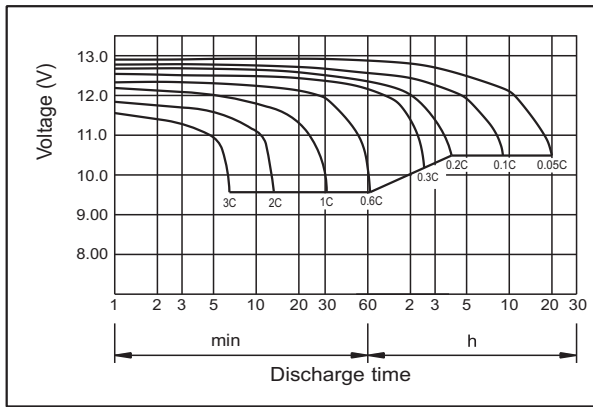
● Constant Power Discharge Characteristics Unit:W(25°C,77°F)

F.V/Time	10min	15min	30min	60min	2h	3h	4h	5h	8h	10h	20h
9.60V	1154	904	553	345	212	155	124	106	73.3	60.8	32.4
9.90V	1119	882	541	340	210	154	123	105	72.9	60.7	32.3
10.2V	1073	850	525	331	208	153	122	105	72.4	60.5	32.2
10.5V	1027	821	512	321	205	152	121	104	71.9	60.1	30.0
10.8V	969	777	493	311	200	147	117	101	69.7	59.7	31.8

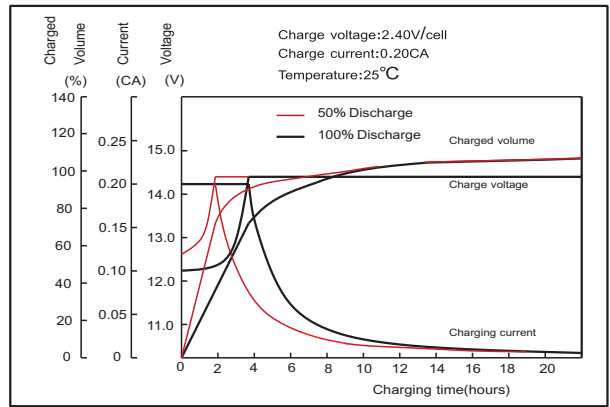
Note: The above characteristics data can be obtained within three charge or discharge cycles.

FT12-50Ah 12V50Ah

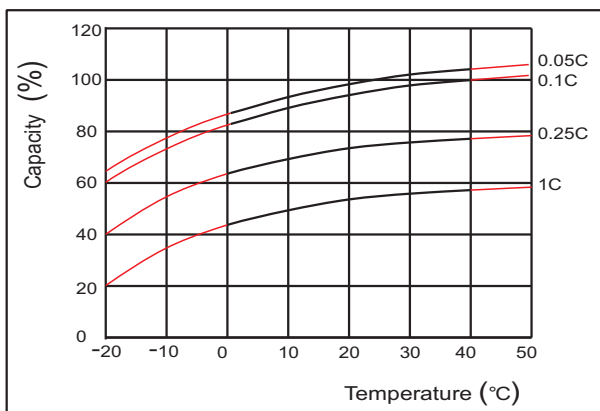
● Discharge characteristics(25°C)



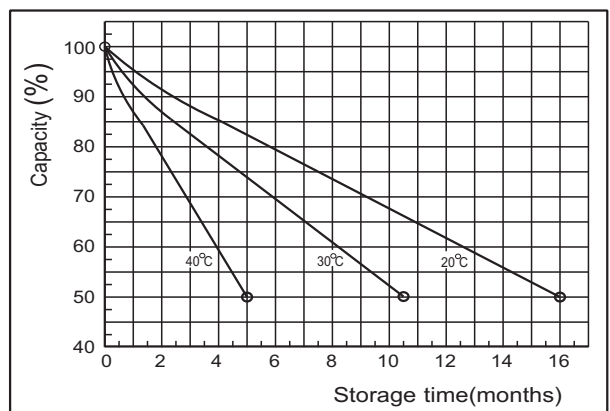
● Charging characteristics



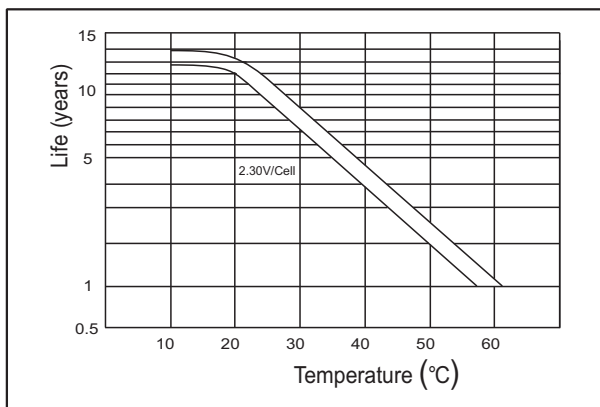
● Temperature effects on Capacity



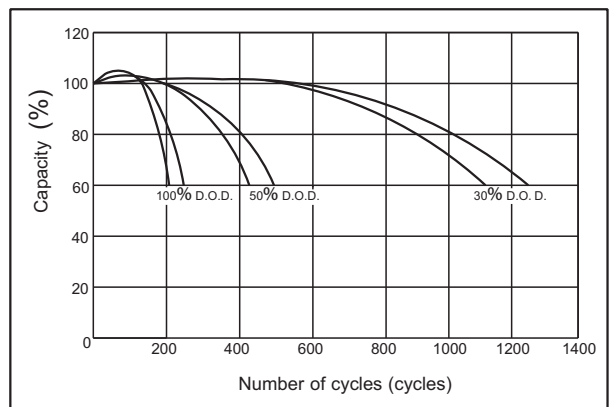
● Self-discharge characteristics



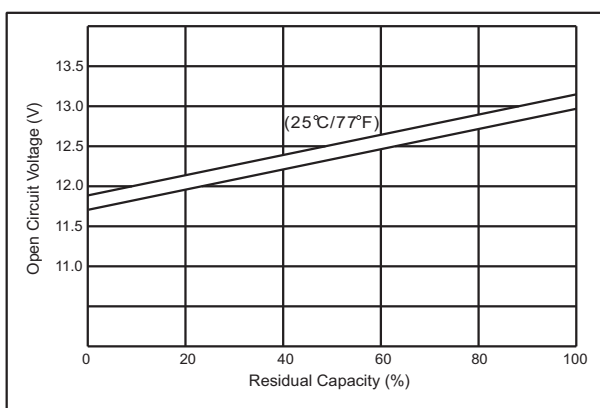
● Temperature effects on float life



● Cycle service life in relation to depth of discharge



● The relationship for OCV and Capacity (25°C)



● The relationship for Charging voltage and Temperature

